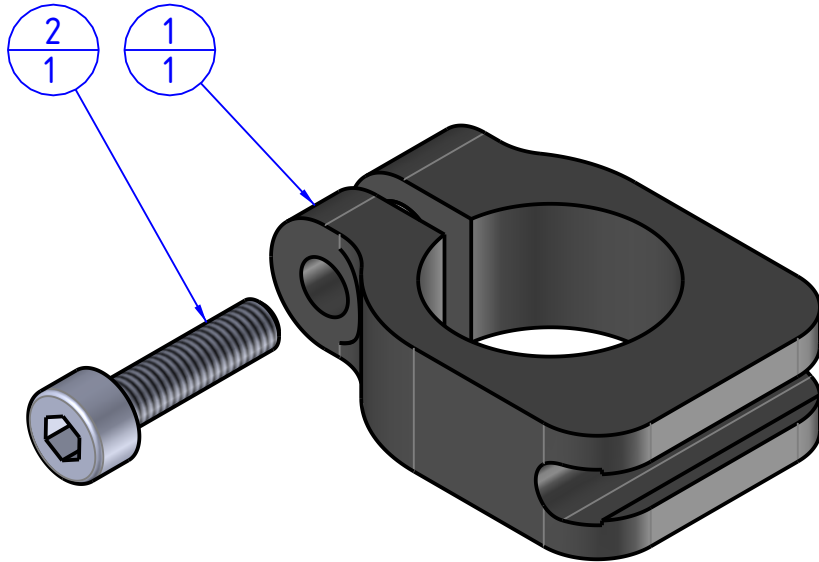
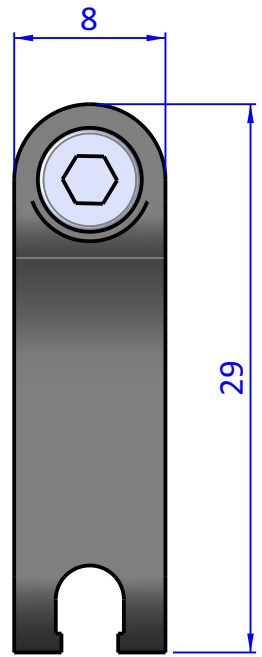
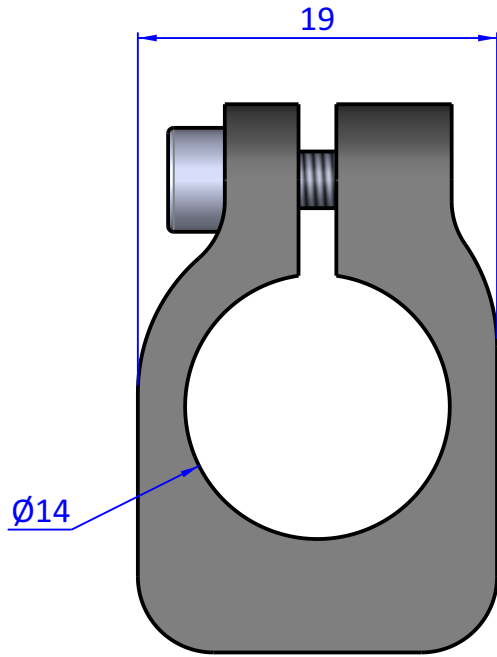

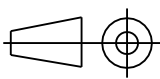


Item	Name	Q.ty
1	SMT.14	1
2	V.TCE3x12	1



THE PROPERTY OF THE DRAWING IS ESTABLISHED BY LAW. IT IS FORBIDDEN TO PRODUCE OR SHOW IT TO THIRD PART. WITHOUT A WRITTEN AGREEMENT.

Format A4 UNI 936-76	 FPS FPSERVICES AUTOMATION			DESIGNED FROM FPS Automation	REVIEW A	
	GENERAL TOLERANCE UNI - ISO 2768 CLASSE f			DESCRIPTION CA.SMT.14	DATE 30/03/2023	WEIGHT 0,002kg
				CA.SMT.14		